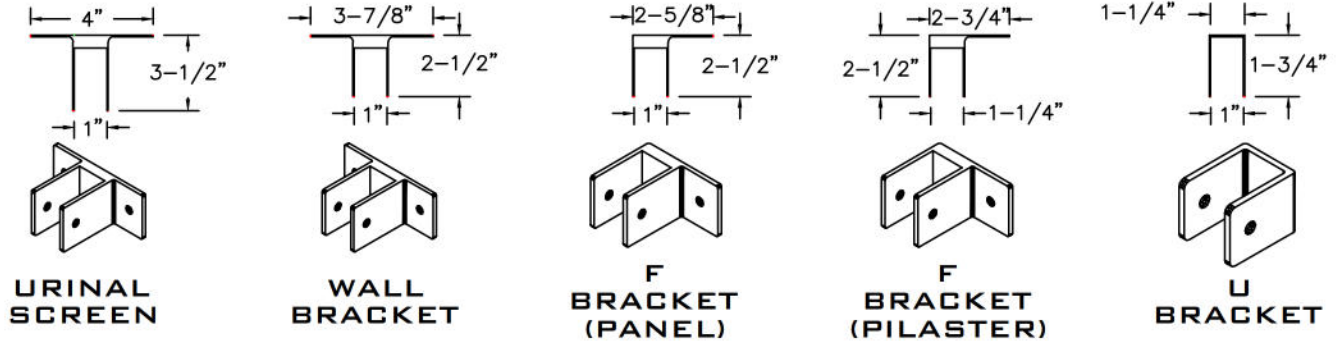
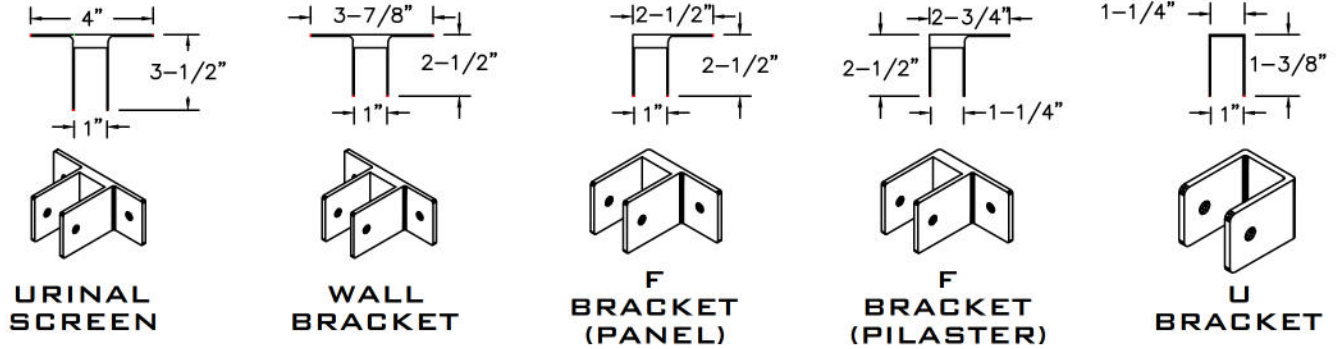


POWDER COATED STEEL
MOUNTING HARDWARE
2.15

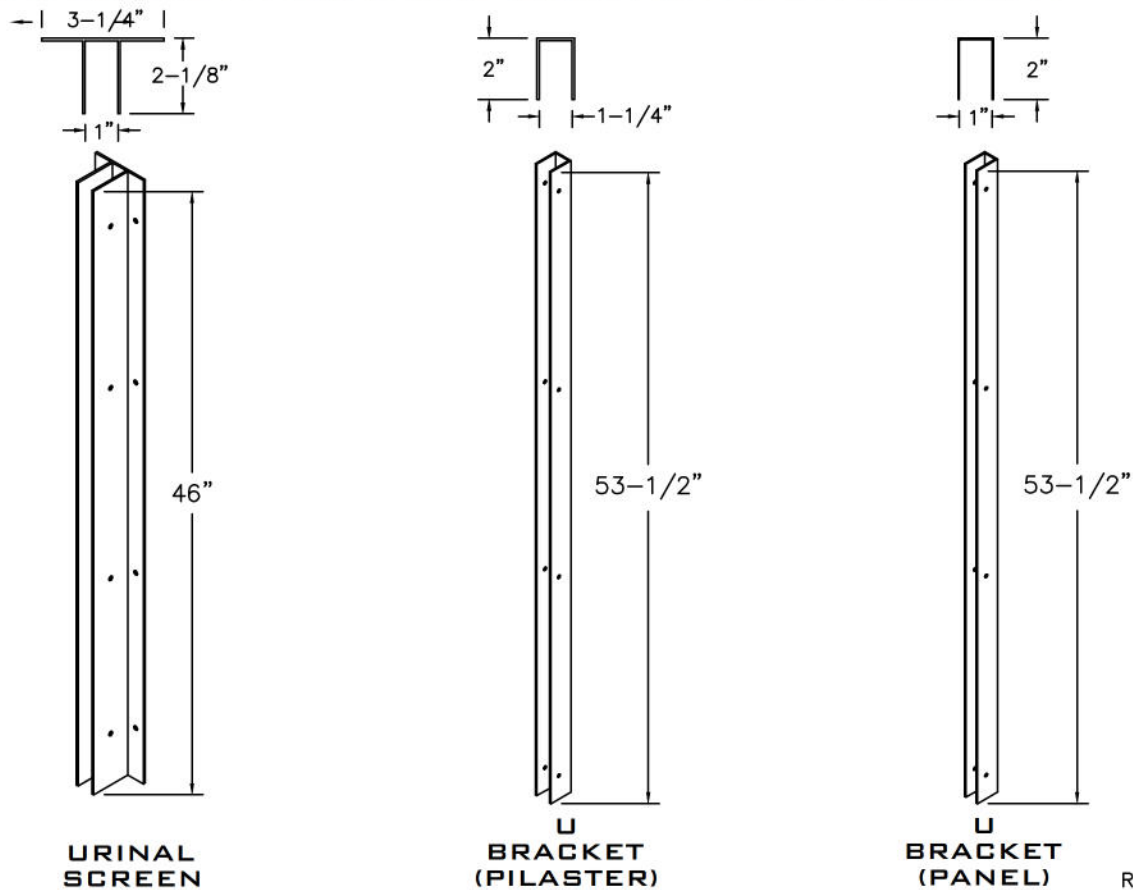
CHROME PLATED ZAMAC STIRRUP BRACKETS



STAINLESS STEEL STIRRUP BRACKETS



CONTINUOUS PAINTED AND STAINLESS STEEL CHANNELS



REV 01/25