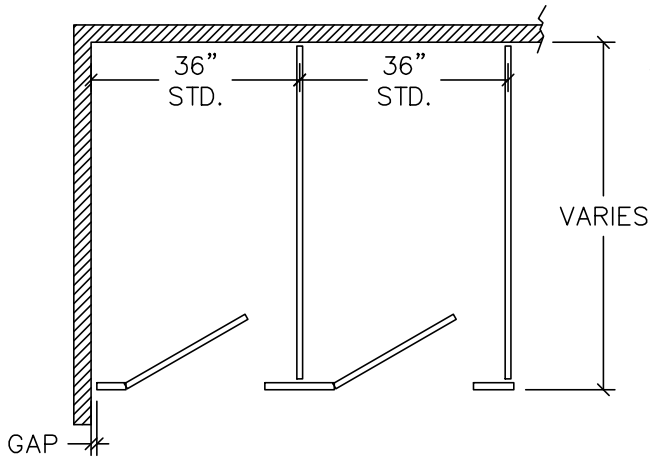
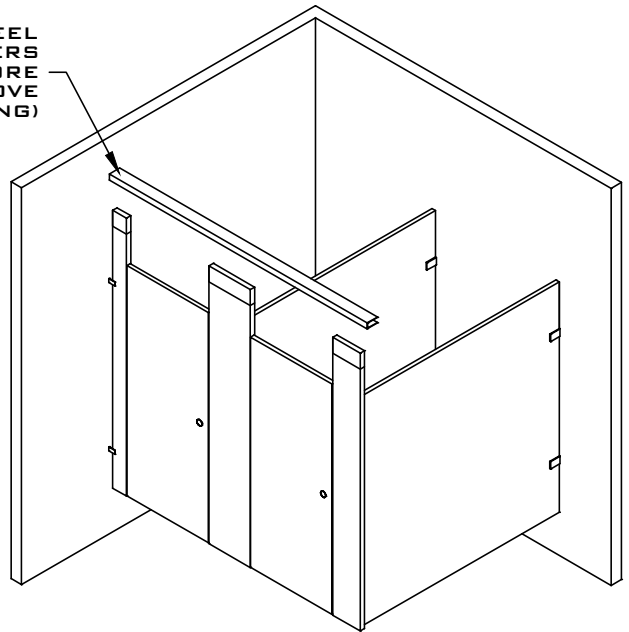


**POWDER COATED STEEL
CEILING HUNG
2.10**

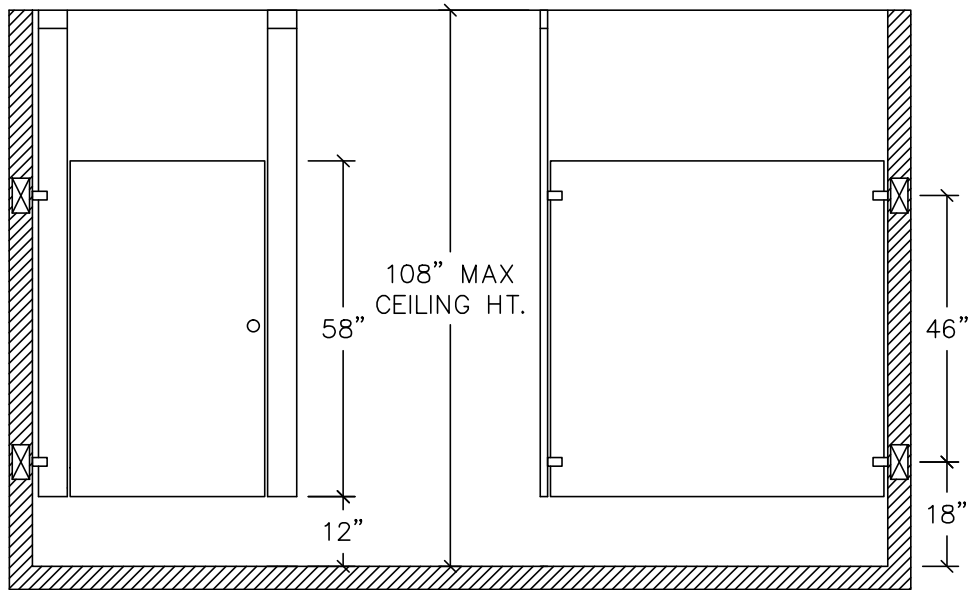


**IC - 2
STANDARD
CONFIGURATION**

STRUCTURAL STEEL
BY OTHERS
(LOCATED NO MORE
THAN 2 1/2" ABOVE
FINISHED CEILING)



FINISHED CEILING



FRONT & SIDE ELEVATION

 **BLOCKING IN WALL BY OTHERS**

REV 12/13