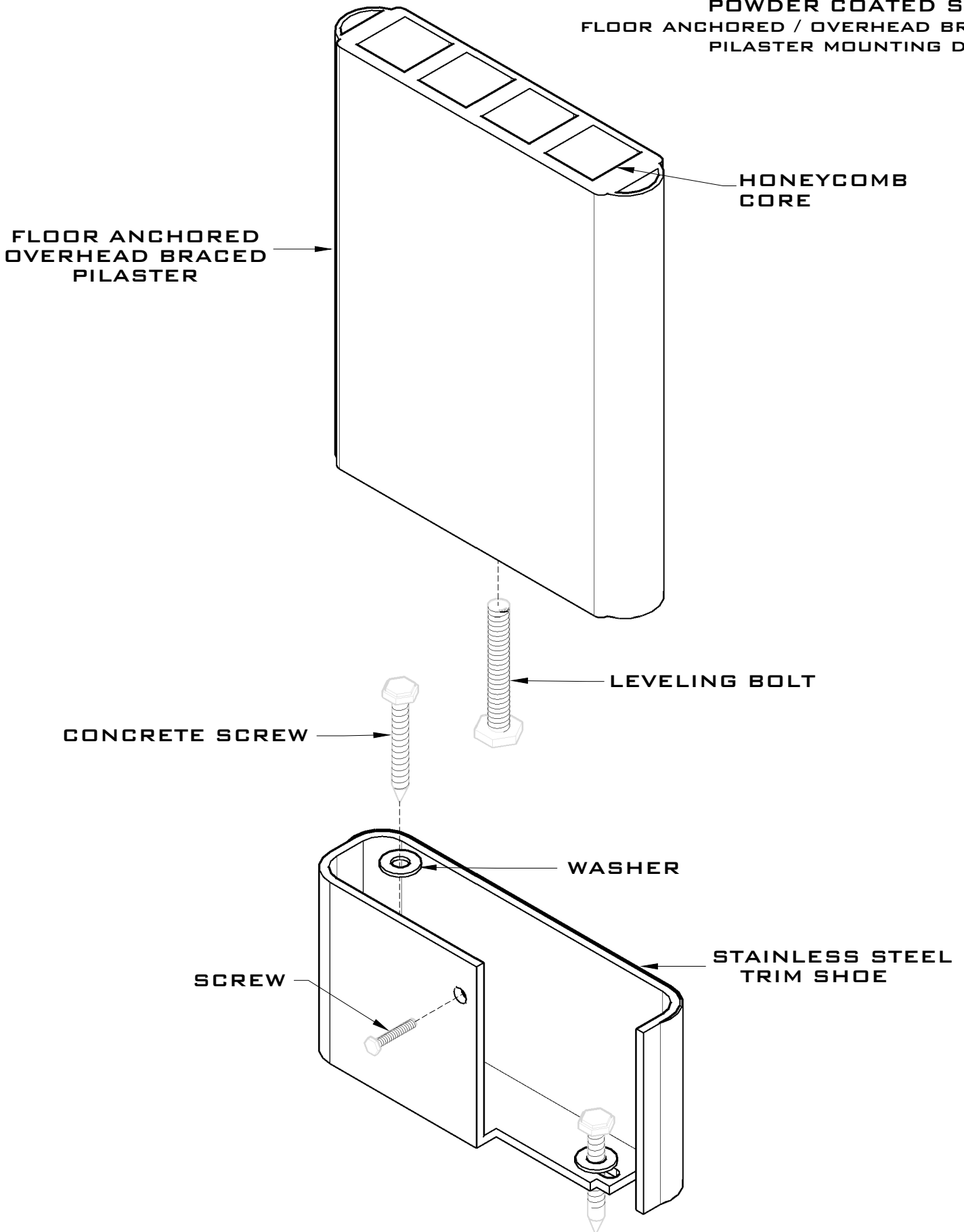


POWDER COATED STEEL
FLOOR ANCHORED / OVERHEAD BRACED
PILASTER MOUNTING DETAIL
2.5



REV 5/22