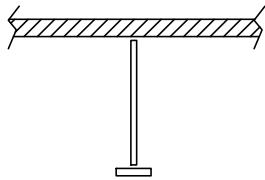
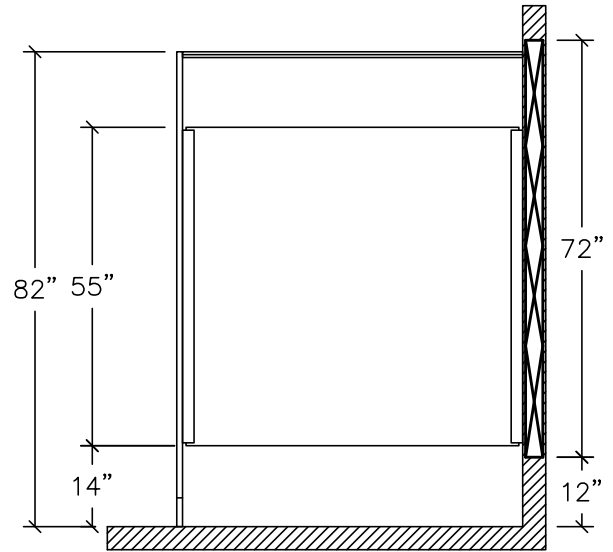
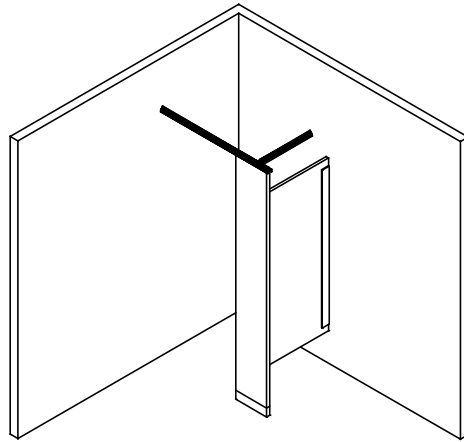


**SOLID PLASTIC
URINAL AND SIGHT SCREENS
4.16**

**FLOOR ANCHORED / OVERHEAD BRACED
SCREEN**

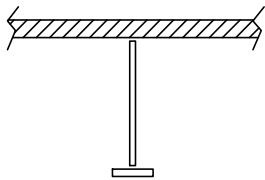


**MINIMUM 6"
PILASTER**

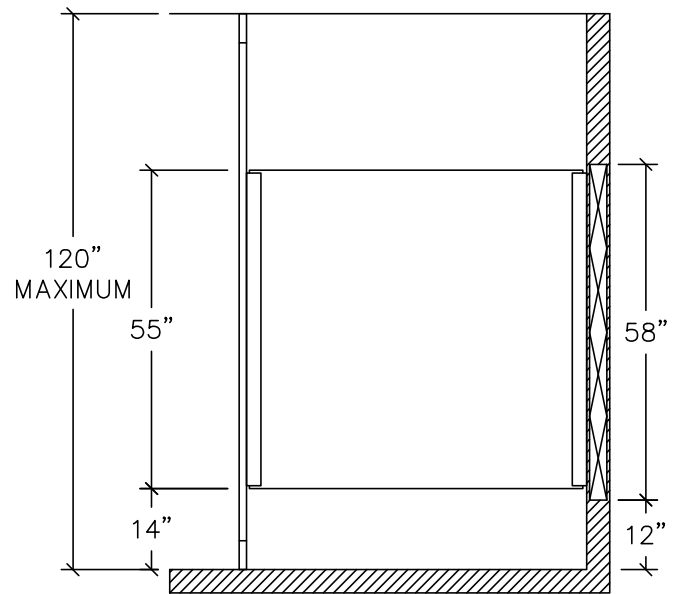
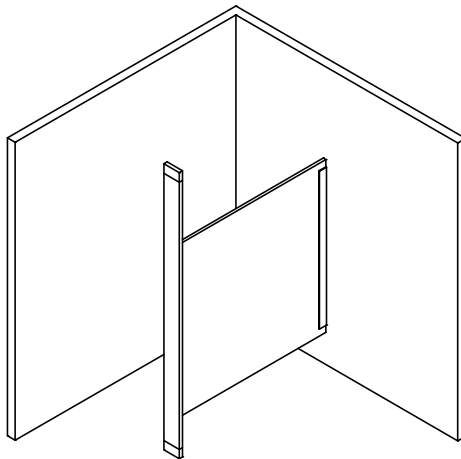


SIDE ELEVATION

**FLOOR-TO-CEILING SITE SCREEN
WITH SOLID PLASTIC PILASTER**



**MINIMUM 7"
FLOOR TO CEILING
PILASTER**



SIDE ELEVATION

**SITE SCREENS ABOVE ARE 55" HIGH BY DEPTH REQUIRED
AVAILABLE WITH STAINLESS STEEL, ALUMINUM STIRRUP BRACKETS, &
CONTINUOUS ALUMINUM OR STAINLESS STEEL BRACKETS**

 **BLOCKING IN WALL BY OTHERS**

REV 12/13