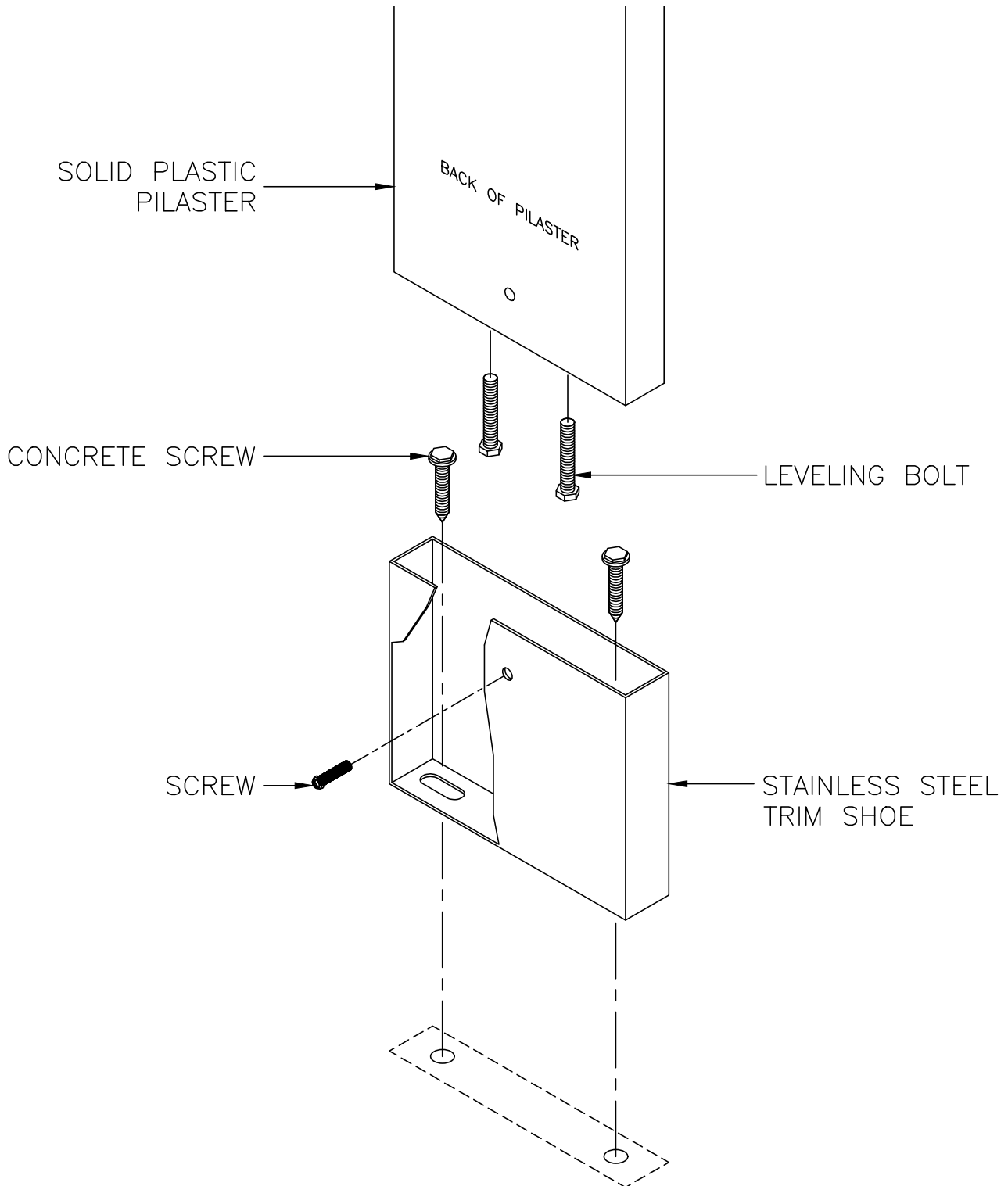


**SOLID PLASTIC
FLOOR ANCHORED /
OVERHEAD BRACED
PILASTER MOUNTING DETAIL
4.5**



**304 STAINLESS STEEL
TRIM SHOE WITH #4 SATIN FINISH**

REV 12/13