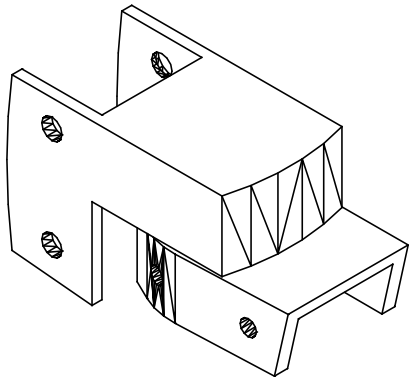
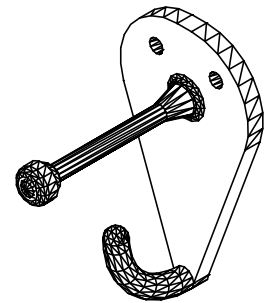
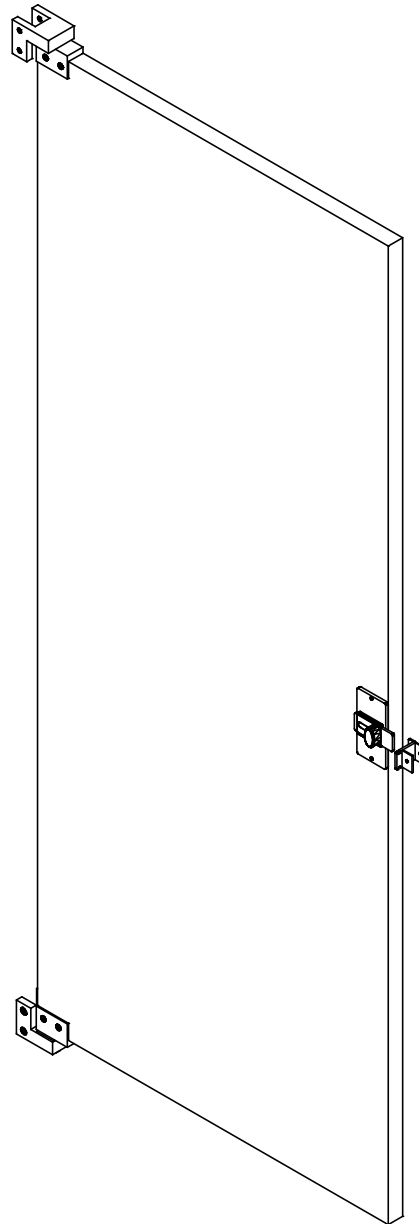


**DETAILS**

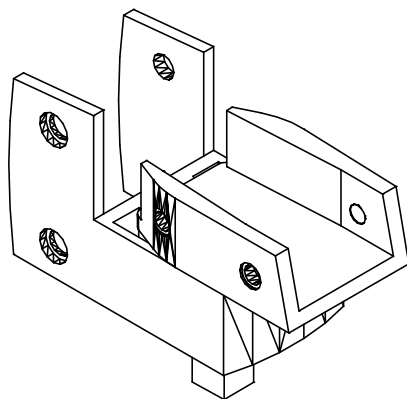
**PHENOLIC  
COMPARTMENT DOOR DETAIL  
6.16**



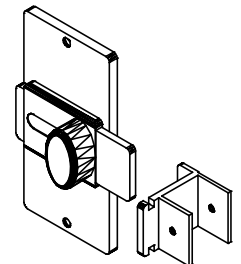
**TOP HINGE**



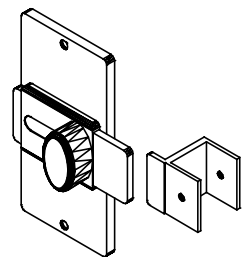
**COMBINATION  
COAT HOOK / DOOR  
STOP**



**BOTTOM HINGE**



**SLIDE LATCH  
WITH LOCK  
(INSWING)**



**SLIDE LATCH  
WITH LOCK  
(OUTSWING)**

REV 5/13