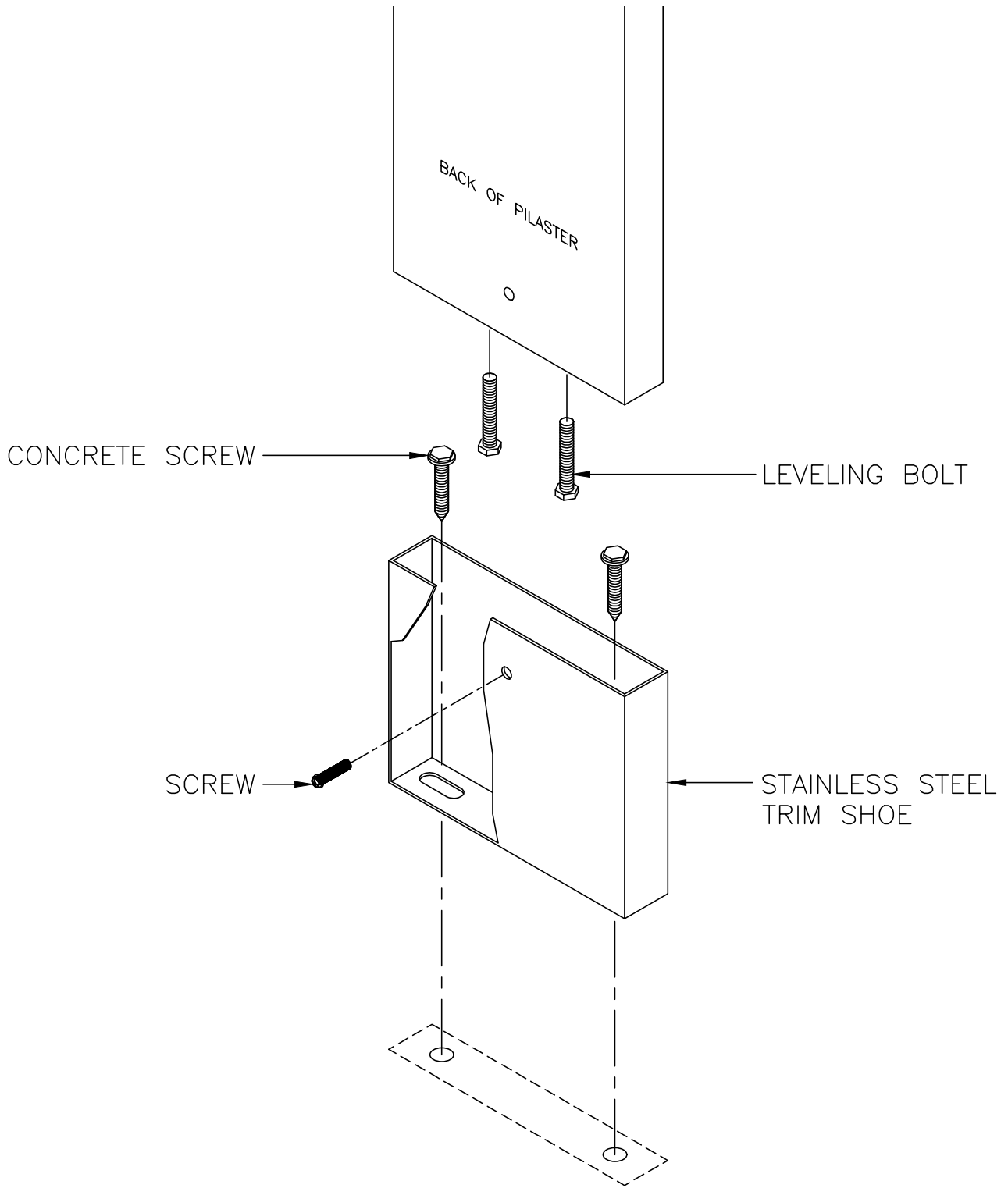


DETAILS

**PHENOLIC
floor anchored/overhead-braced
pilaster mounting detail
6.5 EZ**



**304 STAINLESS STEEL
TRIM SHOE WITH #4 SATIN FINISH**

REV 12/13