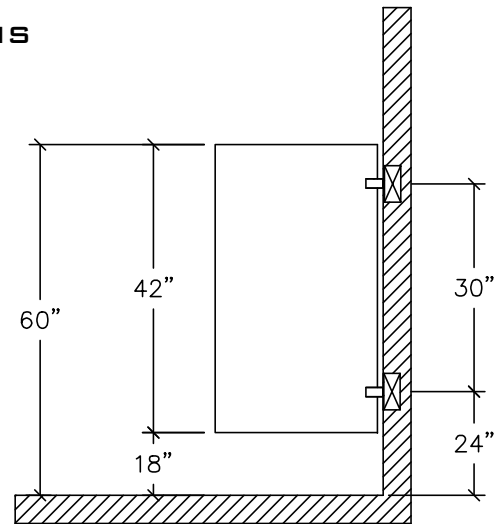
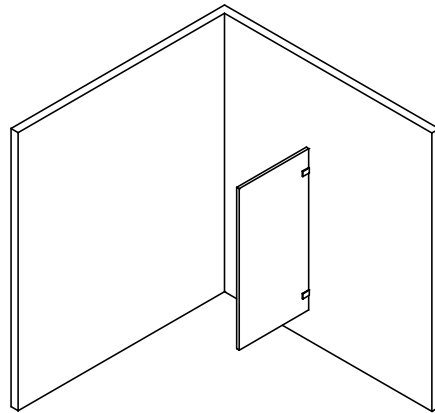
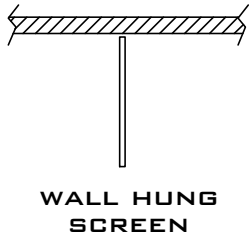


**PHENOLIC
URINAL AND SIGHT SCREENS
6.17**

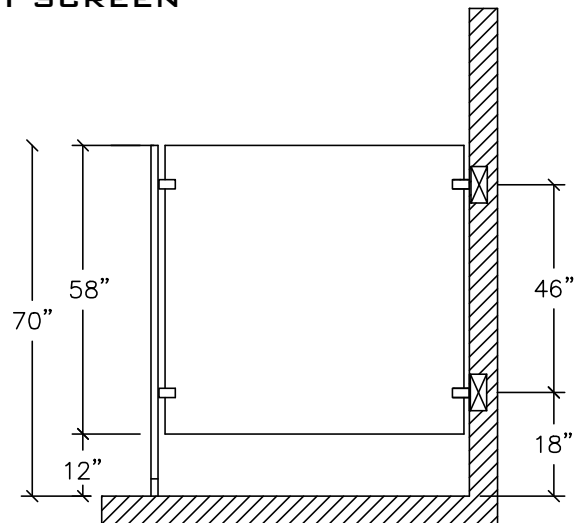
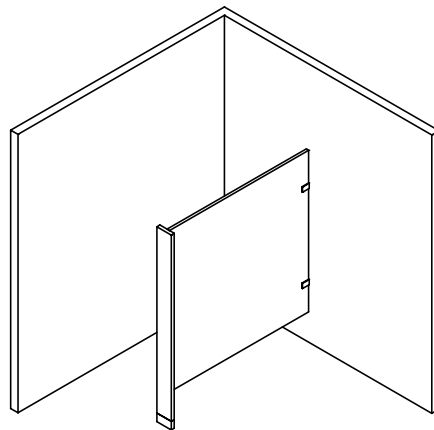
WALL HUNG URINAL SCREENS



SIDE ELEVATION

**AVAILABLE IN 4 STANDARD SIZES, 12" X 42", 18" X 42", 24" X 42",
30" X 42"; STAINLESS STEEL STIRRUP BRACKETS,
CONTINUOUS ALUMINUM OR STAINLESS STEEL BRACKETS**

FLOOR ANCHORED SIGHT SCREEN



SIDE ELEVATION

**SIGHT SCREENS ABOVE ARE 58" HIGH BY DEPTH REQUIRED
AVAILABLE WITH STAINLESS STEEL STIRRUP BRACKETS,
CONTINUOUS ALUMINUM OR STAINLESS STEEL BRACKETS**

 **BLOCKING IN WALL BY OTHERS**

REV 5/13