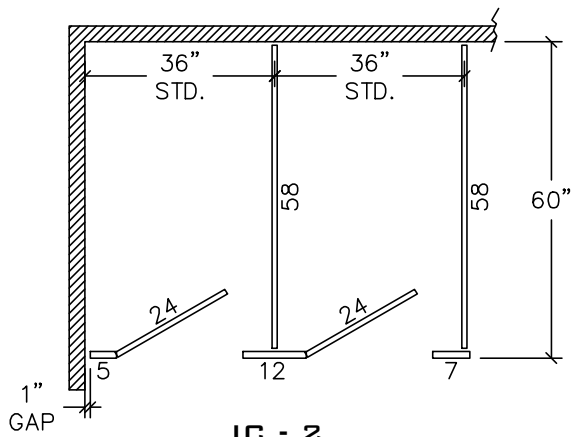
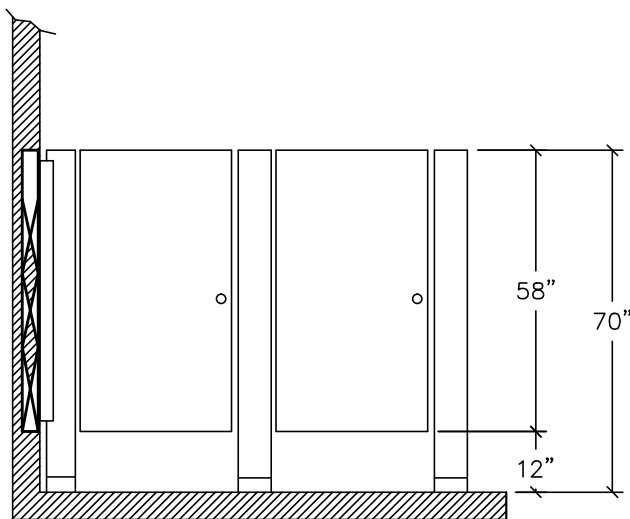
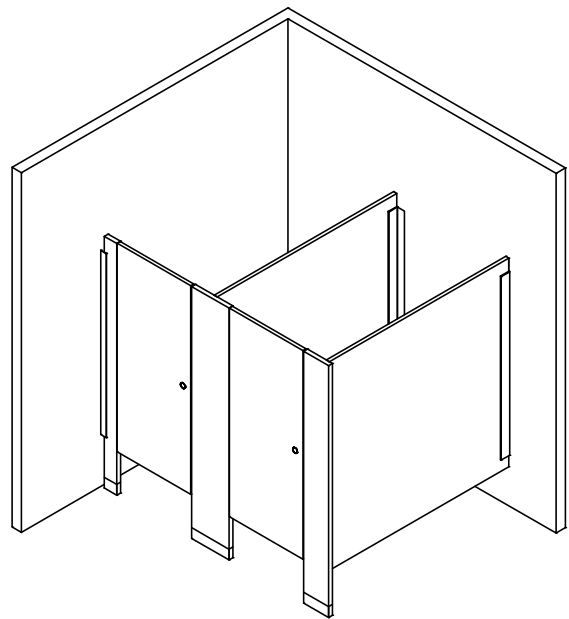


DETAILS

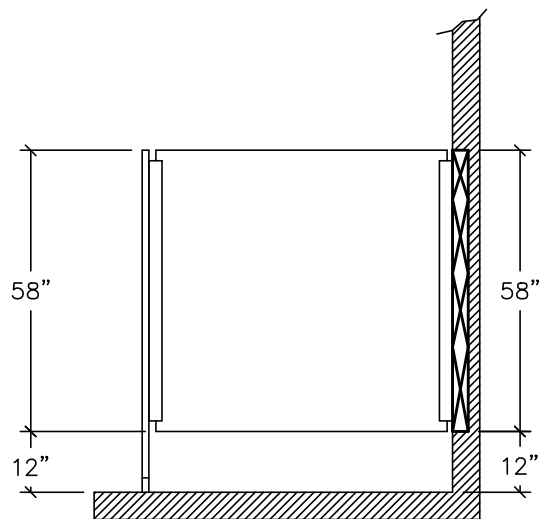
**PHENOLIC
FLOOR ANCHORED
6.7A**



**IC - 2
STANDARD
CONFIGURATION**



FRONT ELEVATION



SIDE ELEVATION

 **BLOCKING IN WALL BY OTHERS**

REV 5/13