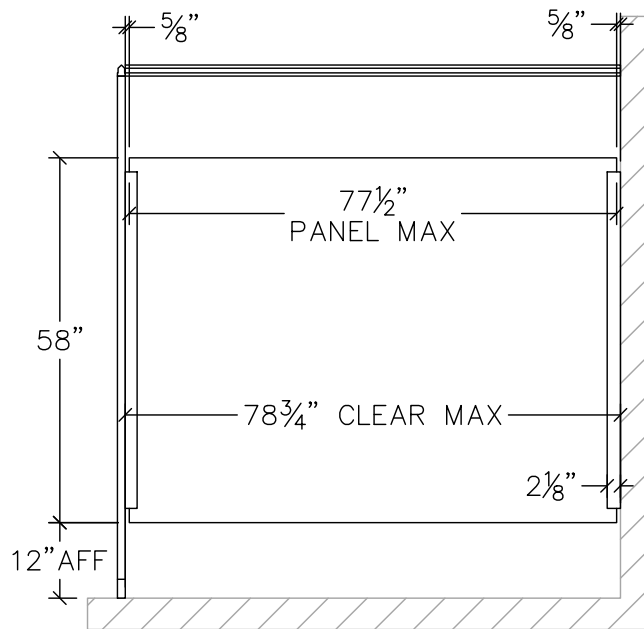
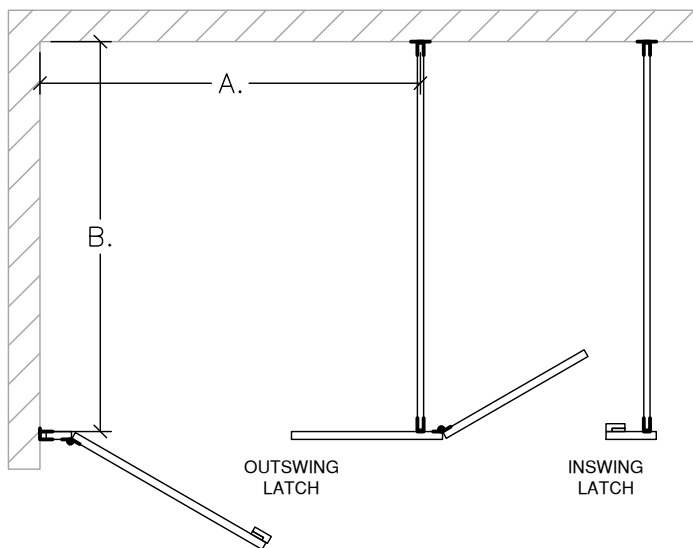


FRONT



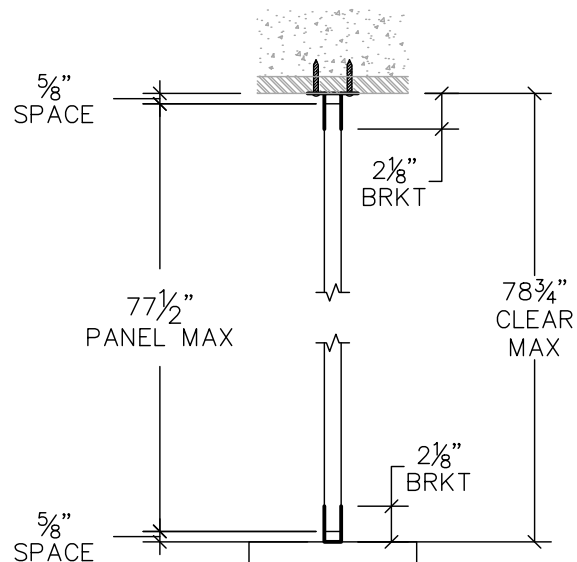
SIDE

PLAN



OUTSWING LATCH

INSWING LATCH



Note: 9" AFF

A. Width clear: 60" or greater is required

B. Deep clear:

1. Wall hung toilet- 56" or greater required.

2. Floor Mounted toilet- 59" or greater required.

Note: 6" AFF

A. Width clear: 66" or greater is required

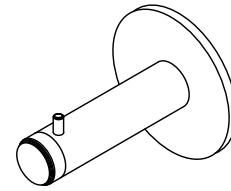
B. Deep clear:

1. Wall hung toilet- 62" or greater required.

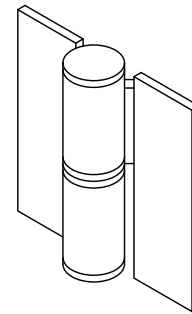
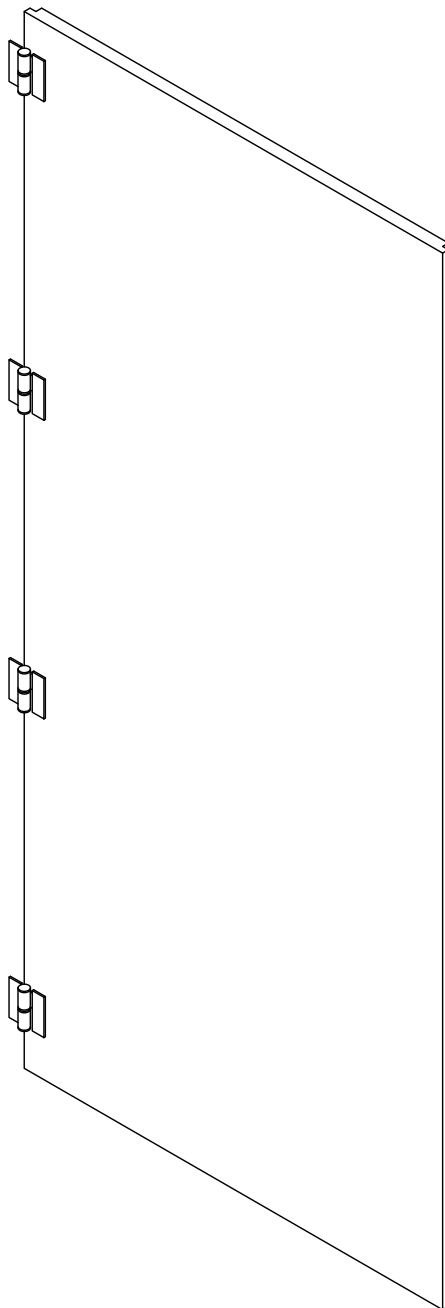
2. Floor Mounted toilet- 65" or greater required.



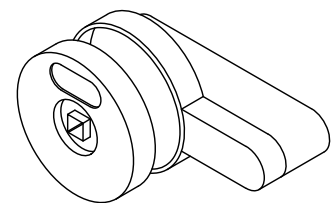
NO-SIGHT LINE SYSTEM  
ROUTED DOORS AND PILASTERS



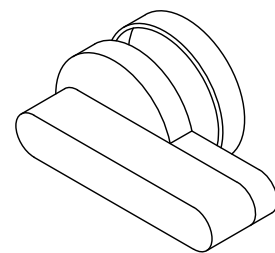
COMBINATION DOOR HOOK / DOOR STOP



HINGE



TURN LATCH w/ CLUTCH  
(BACK SIDE)



TURN LATCH w/ CLUTCH  
(FRONT SIDE)

