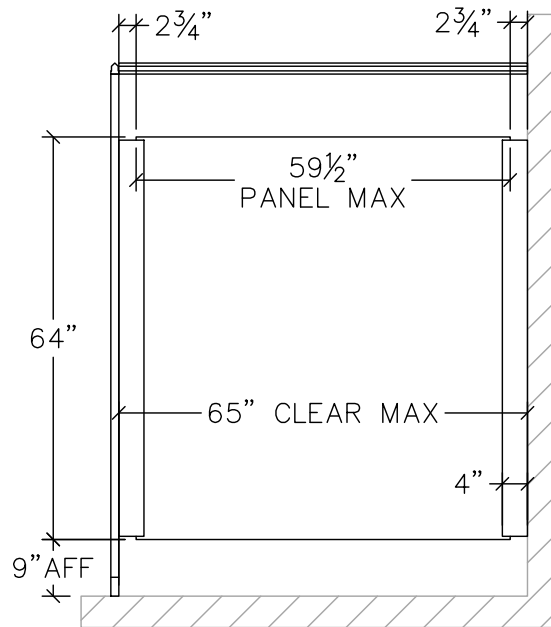
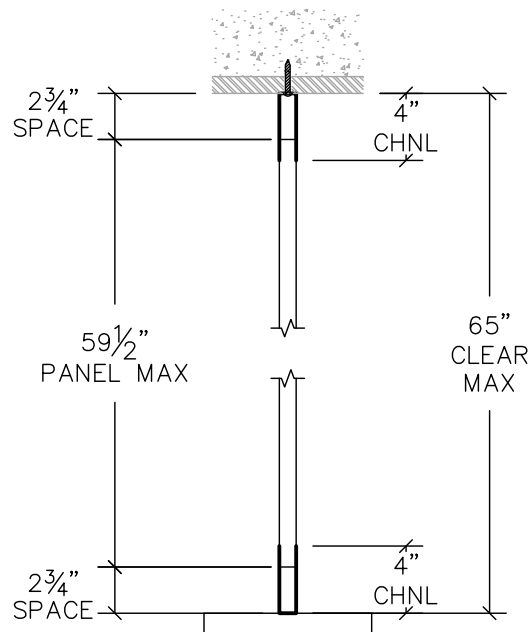
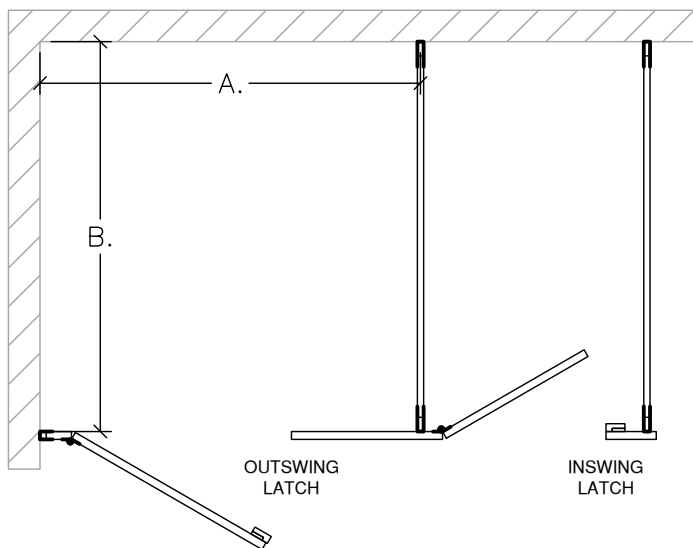


FRONT



SIDE

PLAN



Note: 9" AFF

A. Width clear: 60" or greater is required

B. Deep clear:

1. Wall hung toilet- 56" or greater required.
2. Floor Mounted toilet- 59" or greater required.

Note: 6" AFF

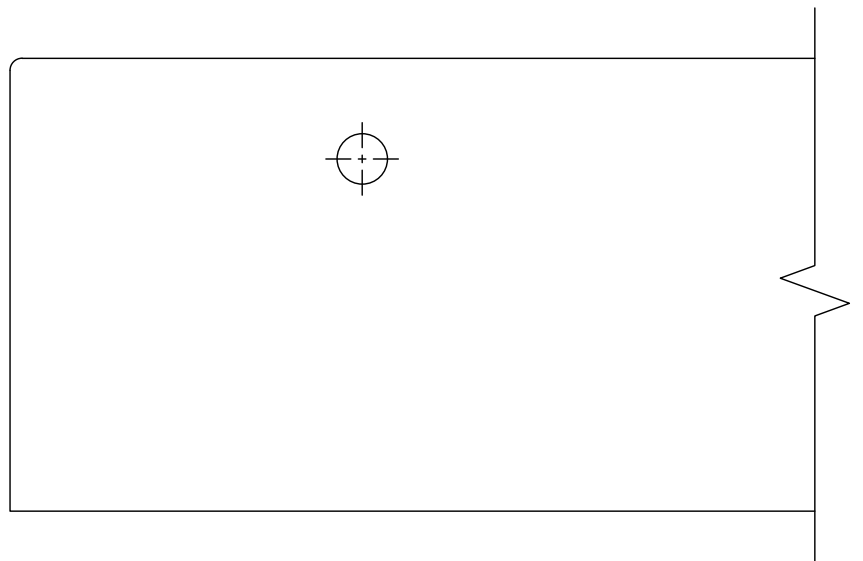
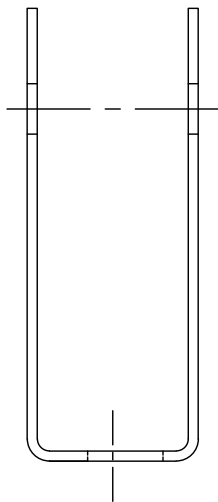
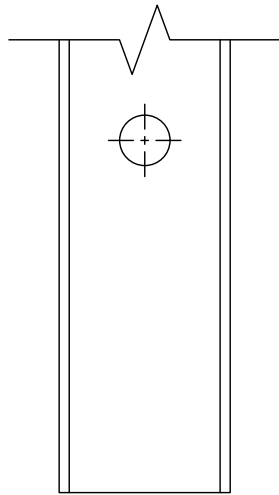
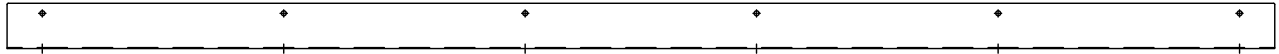
A. Width clear: 66" or greater is required

B. Deep clear:

1. Wall hung toilet- 62" or greater required.
2. Floor Mounted toilet- 65" or greater required.

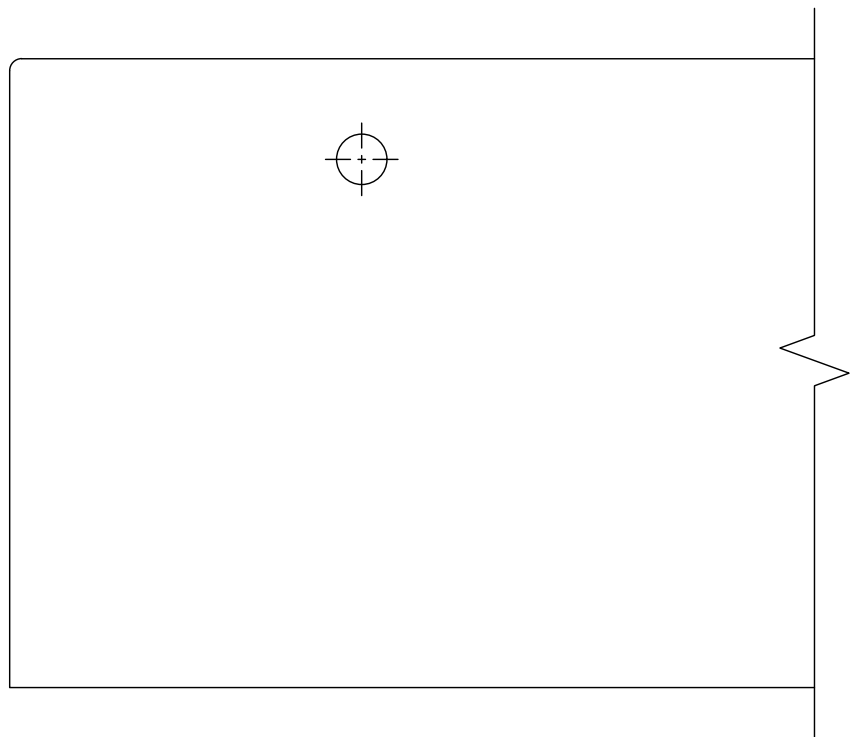
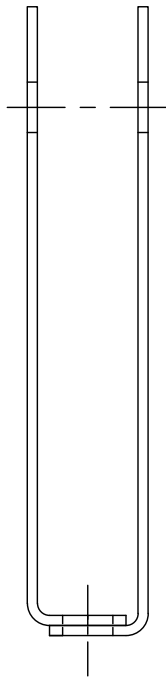
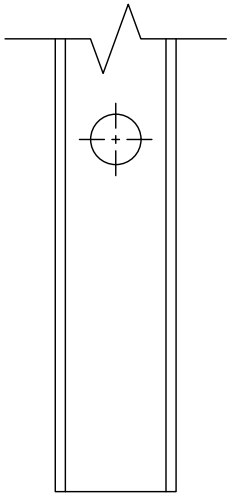
DETAILS

2¹/₄" U-CHANNEL
PILASTER TO WALL
STAINLESS STEEL



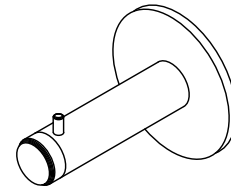
DETAILS

4" U-CHANNEL
PILASTER TO PANEL
STAINLESS STEEL

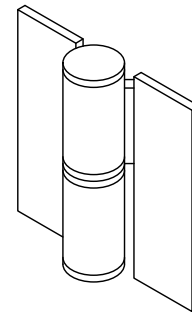
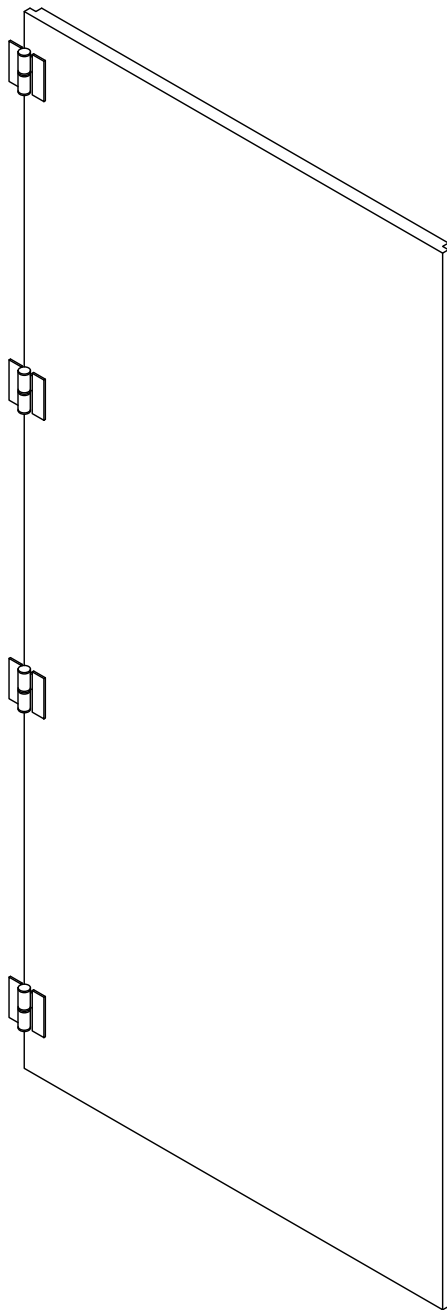




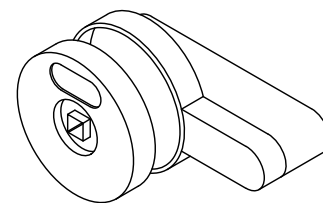
NO-SIGHT LINE SYSTEM
ROUTED DOORS AND PILASTERS



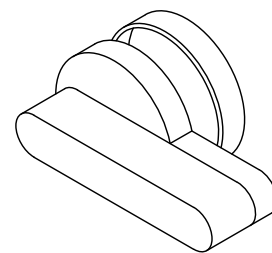
COMBINATION DOOR HOOK / DOOR STOP



HINGE



TURN LATCH w/ CLUTCH
(BACK SIDE)



TURN LATCH w/ CLUTCH
(FRONT SIDE)

