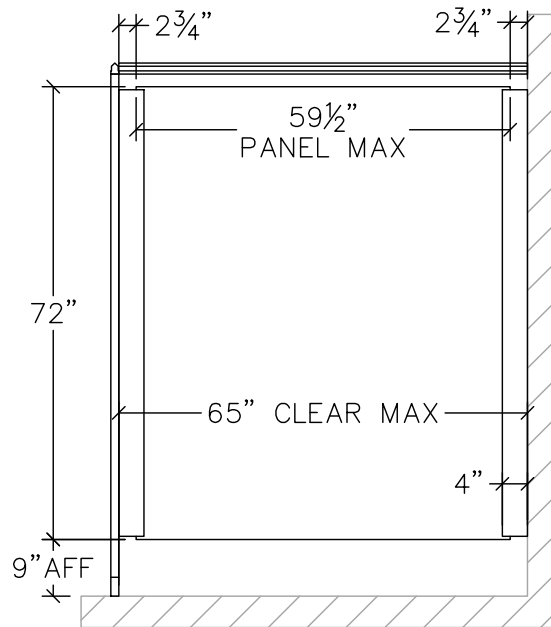
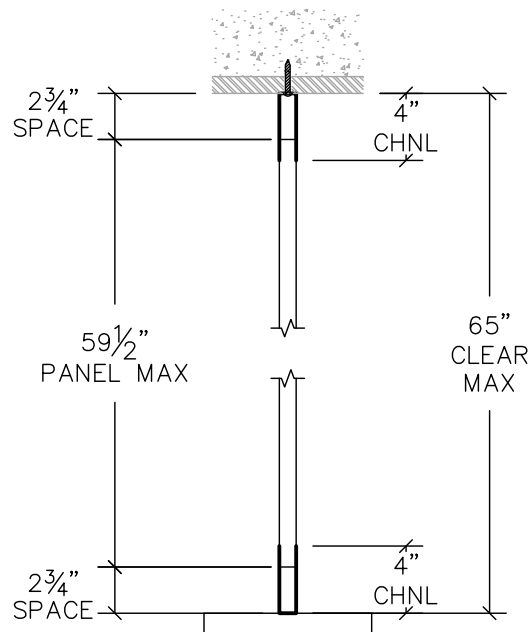
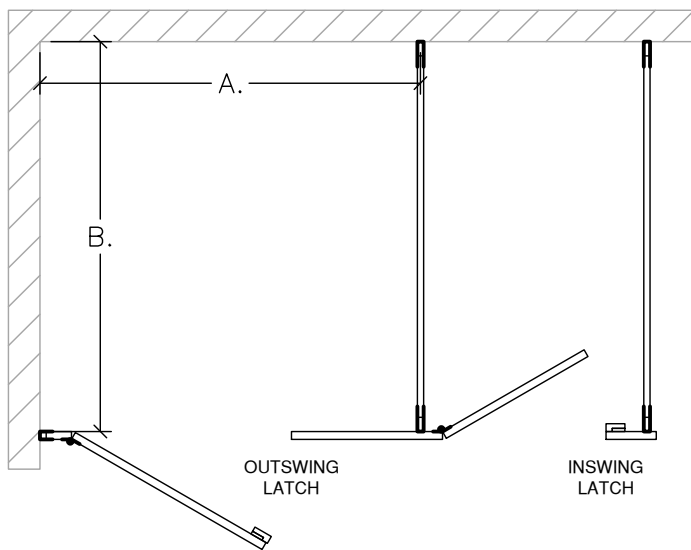


FRONT



SIDE

PLAN



Note: 9" AFF

A. Width clear: 60" or greater is required

B. Deep clear:

1. Wall hung toilet- 56" or greater required.
2. Floor Mounted toilet- 59" or greater required.

Note: 6" AFF

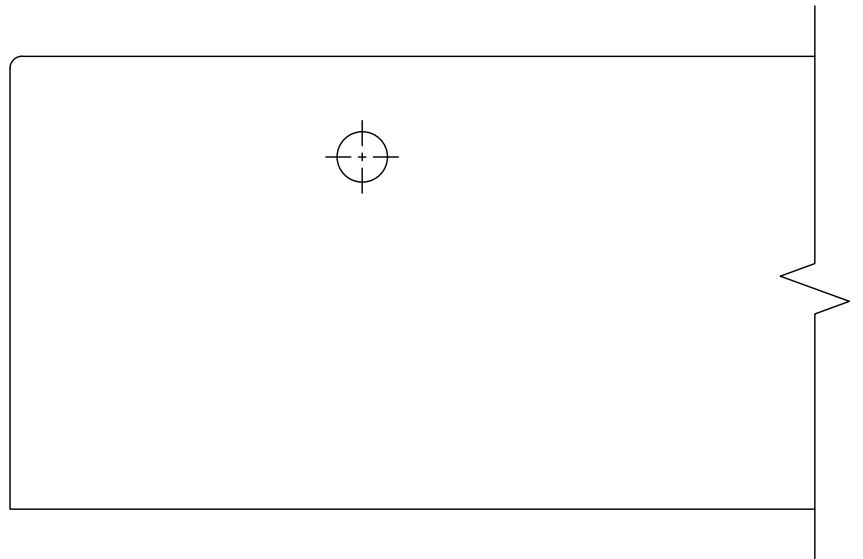
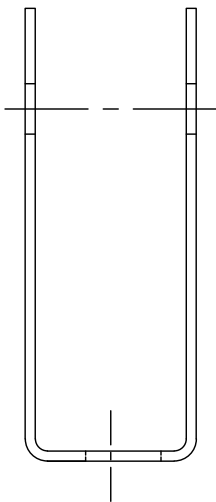
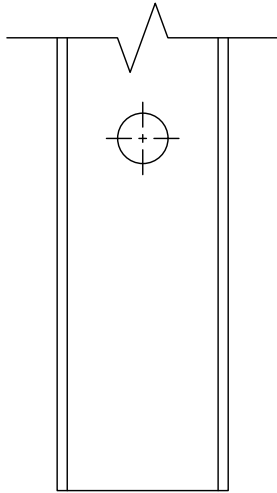
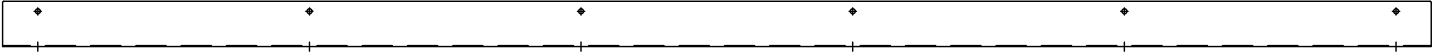
A. Width clear: 66" or greater is required

B. Deep clear:

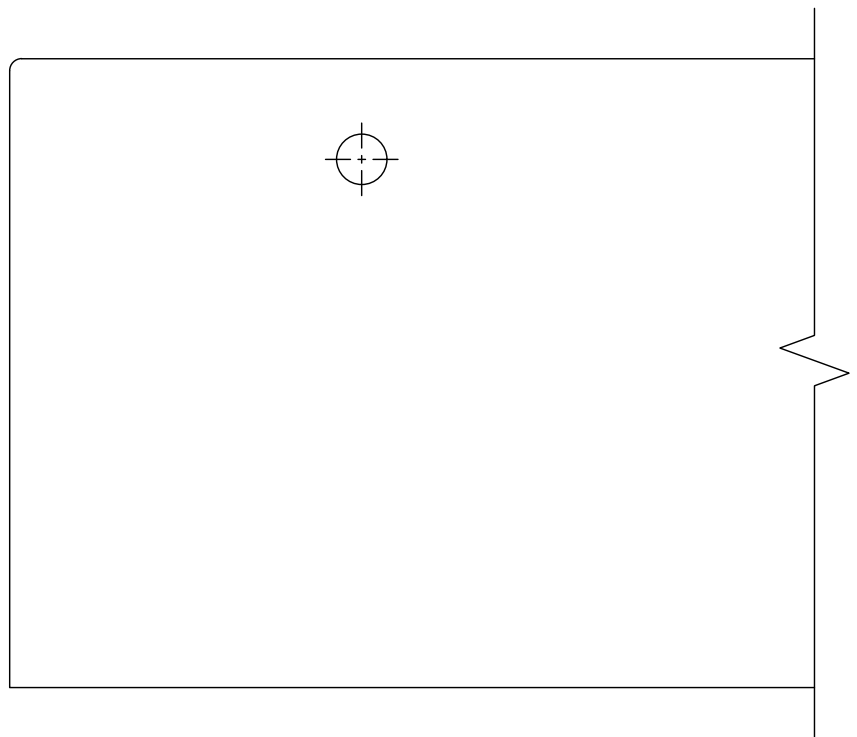
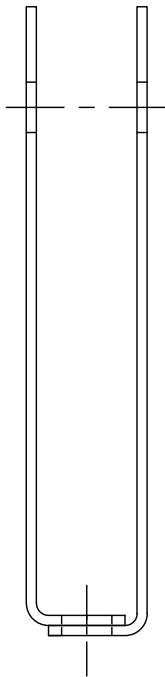
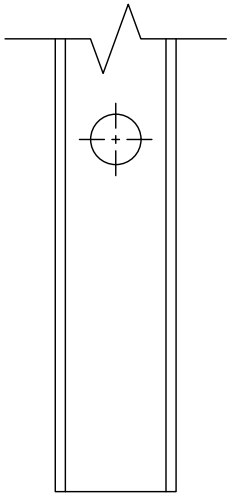
1. Wall hung toilet- 62" or greater required.
2. Floor Mounted toilet- 65" or greater required.

# DETAILS

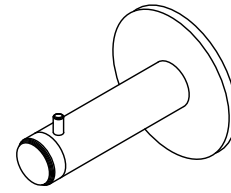
2<sup>1</sup>/<sub>4</sub>" U-CHANNEL  
PILASTER TO WALL  
STAINLESS STEEL



4" U-CHANNEL  
PILASTER TO PANEL  
STAINLESS STEEL

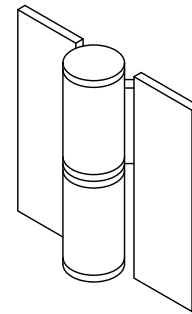
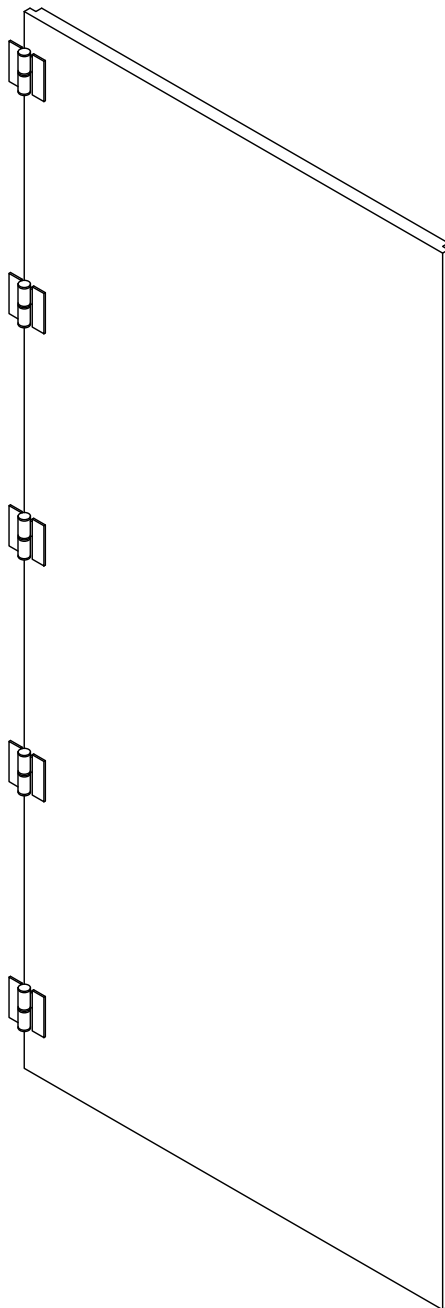


COMPARTMENT DOOR COMPONENTS  
STAINLESS STEEL

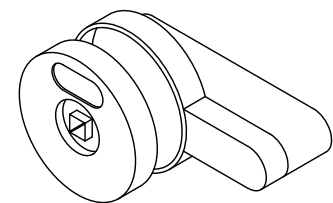


COMBINATION DOOR HOOK / DOOR STOP

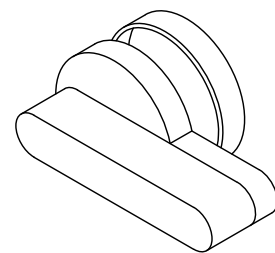
NO-SIGHT LINE SYSTEM  
ROUTED DOORS AND PILASTERS



HINGE



TURN LATCH w/ CLUTCH  
(BACK SIDE)



TURN LATCH w/ CLUTCH  
(FRONT SIDE)

